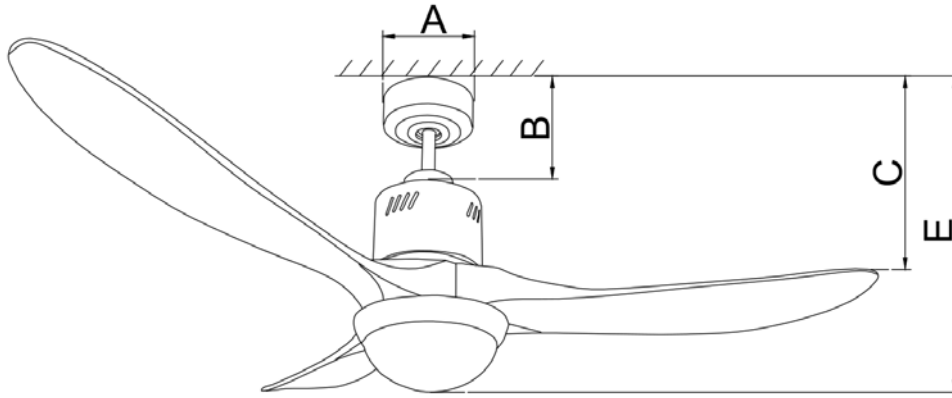
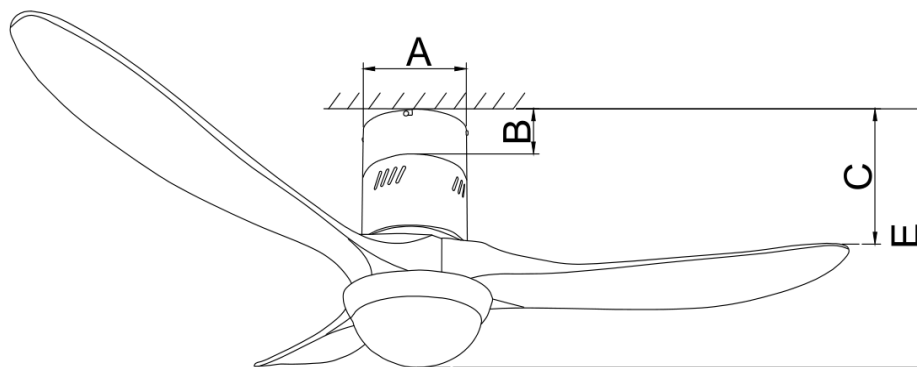


# Spec.Description Model : FD-SP009



<b>TISI Model:</b> (安規代號)	WF54			<b>Fridgecode</b> 條碼	8858786401908	
<b>Code:</b> (型號)	FD-SP009			<b>Color:</b> (顏色)	ORB+金 (ORB+G)	
<b>Specificatio</b> <b>n</b> (規格)	54 inch/3 Blades/With L			<b>Motor Size</b> 馬達規格	AC/153*20	
<b>Material</b> (材料)	WOOD			<b>Switch category</b> 開關類別	Remote control set WFSP-YJF(2+3UF)单继电器	
				<b>Energy Information At High Speed</b>		
<b>Speed</b> 轉速	<b>Current (A)</b> 安培	<b>Wattage (W)</b> 瓦特	<b>RPM</b> 轉速	<b>Air Flow</b> (CFM) 風量	<b>Efficiency</b> ( CFM/Wattage)	
1 速	0.37	84	190	6000	71.4	
2 速	0.26	42	130	-	-	
3 速	0.18	21	80	-	-	
4 速	-	-	-	-	-	
5 速	-	-	-	-	-	
<b>Fan</b>	<b>A</b>	吊盅直徑 Diameter of downrod			15	cm
	<b>B</b>	天花板到上罩高度 Height of Ceiling to upper cover			19	cm
	<b>C</b>	天花板到葉片高度 Height of Ceiling to blades			33	cm
	<b>D</b>	天花板到馬達底部高度Height of ceiling to motor bottom			-	cm
	<b>E</b>	天花板到玻璃高度 Height of ceiling to glass			47	cm
<b>Carton</b>	<b>L (長)</b>	73				cm
	<b>W (寬)</b>	26				cm
	<b>H (高)</b>	42				cm
<b>Package</b>	<b>N.W(淨重)</b>	7.57				KGS
	<b>G.W(毛重)</b>	8.73				KGS

# Spec.Description Model : FD-SP009



<b>TISI Model:</b> (安規代號)	WF54			<b>Fridgecode</b> 條碼	8858786401908	
<b>Code:</b> (型號)	FD-SP009			<b>Color:</b> (顏色)	ORB+金 (ORB+G)	
<b>Specificatio</b> <b>n</b> (規格)	54 inch/3 Blades/With L			<b>Motor Size</b> 馬達規格	AC/153*20	
<b>Material</b> (材料)	WOOD			<b>Switch</b> <b>category</b> 開關類別	Remote control set WFSP-YJF(2+3UF)单继电器	
				<b>Energy Information At High Speed</b>		
<b>Speed</b> 轉速	<b>Current (A)</b> 安培	<b>Wattage (W)</b> 瓦特	<b>RPM</b> 轉速	<b>Air Flow</b> (CFM) 風量	<b>Efficiency</b> (CFM/Wattage)	
1 速	0.37	84	190	6000	71.4	
2 速	0.26	42	130	-	-	
3 速	0.18	21	80	-	-	
4 速	-	-	-	-	-	
5 速	-	-	-	-	-	
<b>Fan</b>	<b>A</b>	吊盅直徑 Diameter of downrod			17	<b>cm</b>
	<b>B</b>	天花板到上罩高度 Height of Ceiling to upper cover			7	<b>cm</b>
	<b>C</b>	天花板到葉片高度 Height of Ceiling to blades			21	<b>cm</b>
	<b>D</b>	天花板到馬達底部高度 Height of ceiling to motor bottom			-	<b>cm</b>
	<b>E</b>	天花板到玻璃高度 Height of ceiling to glass			35	<b>cm</b>
<b>Carton</b>	<b>L (長)</b>	73				<b>cm</b>
	<b>W (寬)</b>	26				<b>cm</b>
	<b>H (高)</b>	42				<b>cm</b>
<b>Package</b>	<b>N.W(淨重)</b>	7.57				<b>KGS</b>
	<b>G.W(毛重)</b>	8.73				<b>KGS</b>