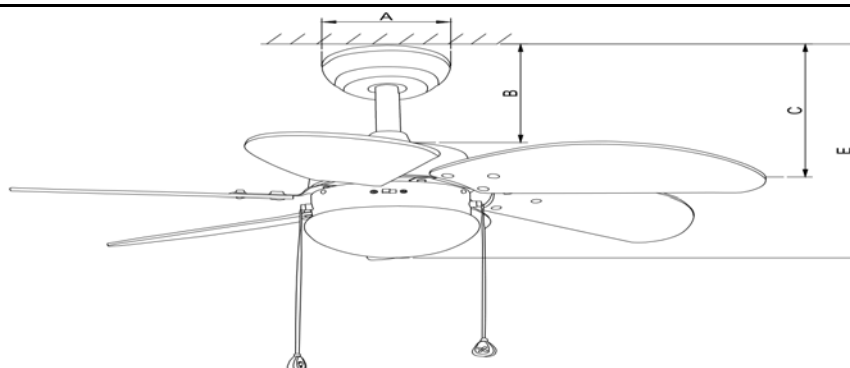


## Spec.Description Model : H09



<b>TISI Model:</b> (安規代號)	WF30			<b>Fridgecode</b> 條碼	8858786401076	
<b>Code:</b> (型號)	H09			<b>Color:</b> (顏色)	BN (砂鏢)	
<b>Specification</b> (規格)	30 inch/6 Blades /With single L			<b>Motor Size</b> 馬達規格	AC/153*12	
<b>Material</b> (材料)	MDF			<b>Switch</b> <b>Category</b> 開關類別	Pull switch 拉繩開關	
<b>Speed</b> 轉速	<b>Current (A)</b> 安培	<b>Wattage (W)</b> 瓦特	<b>RPM</b> 轉速	<b>Air Flow</b> (CFM) 風量	<b>Efficiency</b> ( CFM/Wattage)	
1 速	0.24	52	250	4800	92	
2 速	0.16	22	190	3020	138	
3 速	0.12	12	130	2100	175	
4 速	-	-	-	-	-	
5 速	-	-	-	-	-	
<b>Fan</b>	<b>A</b>	<b>吊盅直徑 Diameter of downrod</b>			15	<b>cm</b>
	<b>B</b>	<b>天花板到上罩高度 Height of Ceiling to upper cover</b>			19	<b>cm</b>
	<b>C</b>	<b>天花板到葉片高度 Height of Ceiling to blades</b>			32	<b>cm</b>
	<b>D</b>	<b>天花板到馬達底部高度 Height of ceiling to motor bottom</b>			-	<b>cm</b>
	<b>E</b>	<b>天花板到玻璃高度 Height of ceiling to glass</b>			39.5	<b>cm</b>
<b>Carton</b>	<b>L (長)</b>	38.4				<b>cm</b>
	<b>W (寬)</b>	20.4				<b>cm</b>
	<b>H (高)</b>	24.8				<b>cm</b>
<b>Package</b>	<b>N.W (淨重)</b>	6.28				<b>KGS</b>
	<b>G.W (毛重)</b>	6.73				<b>KGS</b>