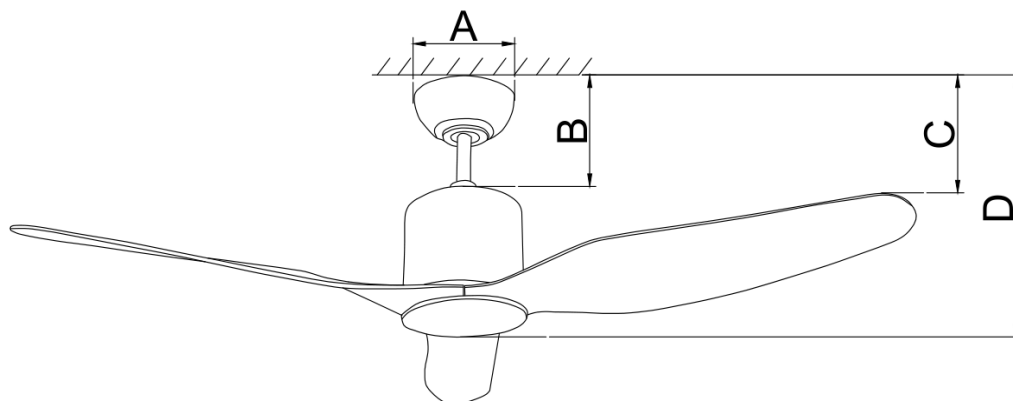
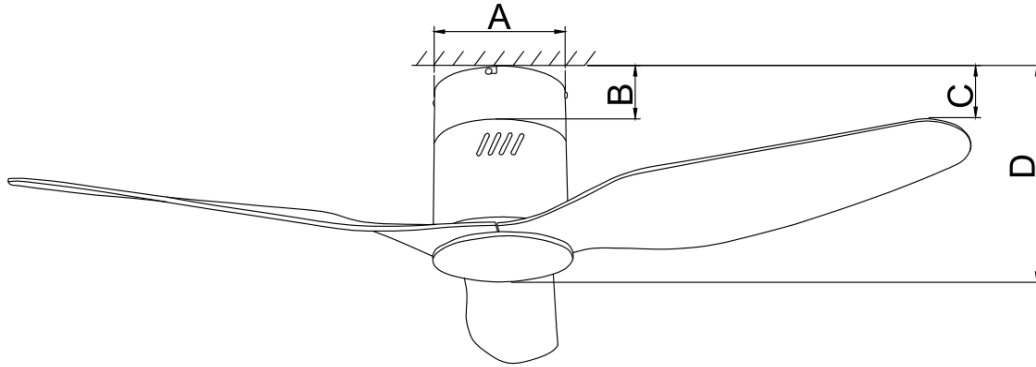


Spec.Description Model : TC11,TC12,TC13



TISI Model: (安規代號)	WF48			Fridgecode 條碼	TC11# -- 8858786402431 TC12# -- 8858786402448 TC13# -- 8858786402455	
Code: (型號)	TC11、TC12、TC13			Color: (顏色)	TC11# = WHT (啞白) TC12# = ORB+G(ORB+金) TC13# = MBK(平光黑)	
Specificatio n (規格)	46 inch/3 Blades/No L			Motor Size 馬達規格	AC/153*20	
Material (材料)	ABS			Switch category 開關類別	Remote control set WFSP-YJF(2+3UF) 雙繼電器	
				Energy Information At High Speed		
				Air Flow (CFM) 風量	Efficiency (CFM/Wattage)	
Speed 轉速	Current (A) 安培	Wattage (W) 瓦特	RPM 轉速			
1 速	0.31	66	208	6100	92.42	
2 速	0.23	35	160	-	-	
3 速	0.17	20	108	-	-	
4 速	-	-	-	-	-	
5 速	-	-	-	-	-	
Fan	A	吊盅直徑 Diameter of downrod			15	cm
	B	天花板到上罩高度 Height of Ceiling to upper cover			19	cm
	C	天花板到葉片高度 Height of Ceiling to blades			33	cm
	D	天花板到馬達底部高度 Height of ceiling to motor bottom			36	cm
	E	天花板到玻璃高度 Height of ceiling to glass			-	cm
Carton	L (長)	58				cm
	W (寬)	26.3				cm
	H (高)	27.3				cm
Package	N.W(淨重)	6.68				KGS
	G.W(毛重)	7.47				KGS

Spec.Description Model : TC11,TC12,TC13



TISI Model: (安規代號)	WF48	Fridgecode 條碼	TC11# -- 8858786402431 TC12# -- 8858786402448 TC13# -- 8858786402455			
Code: (型號)	TC11 / TC12 / TC13	Color: (顏色)	TC11# = WHT (啞白) TC12# = ORB+G(ORB+金) TC13# = MBK(平光黑)			
Specificatio n (規格)	46 inch/3 Blades/With single L	Motor Size 馬達規格	AC/153*20			
Material (材料)	ABS	Switch category 開關類別	Remote control set WFSP-YJF(2+3UF) 雙繼電器			
		Energy Information At High Speed				
Speed 轉速	Current (A) 安培	Wattage (W) 瓦特	RPM 轉速	Air Flow (CFM) 風量	Efficiency (CFM/Wattage)	
1 速	0.31	66	208	6100	92.42	
2 速	0.23	35	160	-	-	
3 速	0.17	20	108	-	-	
4 速	-	-	-	-	-	
5 速	-	-	-	-	-	
Fan	A	吊盅直徑 Diameter of downrod			17	cm
	B	天花板到上罩高度 Height of Ceiling to upper cover			7	cm
	C	天花板到葉片高度 Height of Ceiling to blades			26	cm
	D	天花板到馬達底部高度Height of ceiling to motor bottom			29	cm
	E	天花板到玻璃高度 Height of ceiling to glass			-	cm
Carton	L (長)	58				cm
	W (寬)	26.3				cm
	H (高)	27.3				cm
Package	N.W(淨重)	6.68				KGS
	G.W(毛重)	7.47				KGS