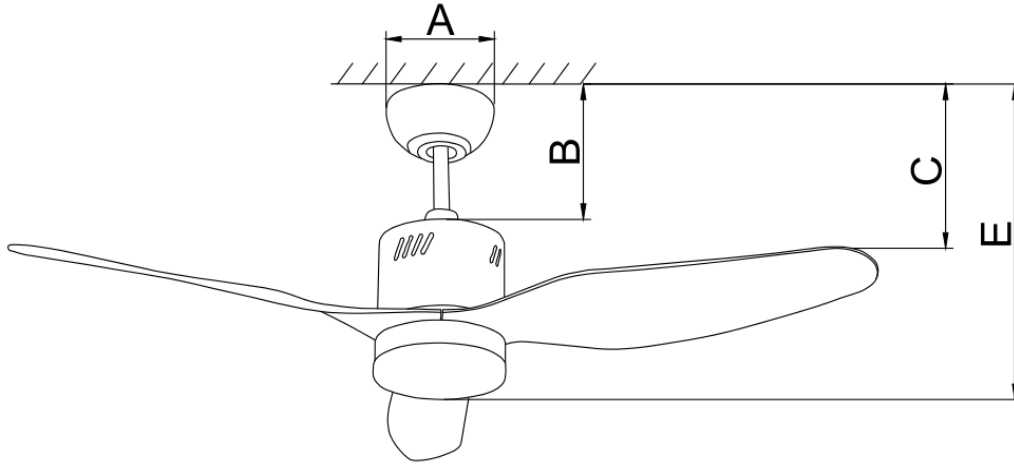
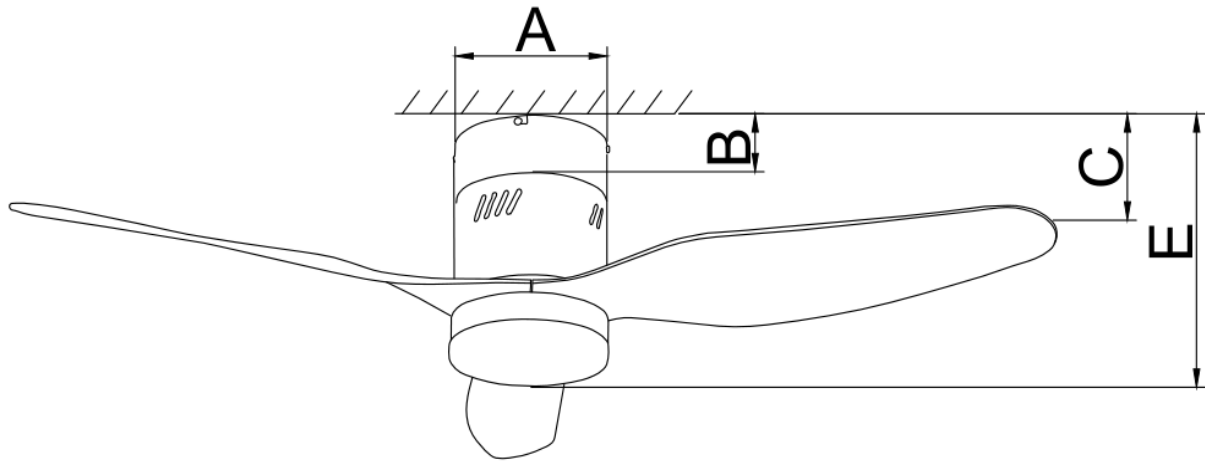


Spec.Description Model : TC14,TC15,TC16,TC49



TISI Model: (安規代號)	WF46			Fridgecode 條碼	TC14 = (8858786403247) TC15 = (8858786403254) TC16 = (8858786403261) TC49 = (8858786403278)					
Code: (型號)	TC14,TC15,TC16,TC49			Color: (顏色)	TC14 = WHT (啞白) TC15 = ORB+G(ORB+金) TC16 = MBK(平光黑) TC49 = BN (砂鍍)					
Specification (規格)	46 inch/3 Blades/With single L			Motor Size 馬達規格	AC/153*20					
Material (材料)	ABS			Switch category 開關類別	Remote control set WFSP-YJF(2+3UF)單繼電器					
				Energy Information At High Speed						
				Speed 轉速	Current (A) 安培	Wattage (W) 瓦特	RPM 轉速	Air Flow (CFM) 風量	Efficiency (CFM/Wattage)	
				1 速	0.32	72	208	6100	84.7	
				2 速	0.25	41	160	-	-	-
				3 速	0.17	22.4	108	-	-	-
				4 速	-	-	-	-	-	-
				5 速	-	-	-	-	-	-
Fan		A	吊盅直徑 Diameter of canopy				15	cm		
		B	天花板到上罩高度 Height of Ceiling to upper cover				19	cm		
		C	天花板到葉片高度 Height of Ceiling to blades				33	cm		
		D	天花板到馬達底部高度 Height of ceiling to motor bottom				36	cm		
		E	天花板到玻璃高度 Height of ceiling to glass				41	cm		
Carton		L (長)	58							
		W (寬)	26.3							
		H (高)	27.3							
Package		N.W(淨重)	7.31				KGS			
		G.W(毛重)	8.10				KGS			

Spec.Description Model : TC14,TC15,TC16,TC49



TISI Model: (安規代號)	WF46			Fridgecode 條碼	TC14 = (8858786403247) TC15 = (8858786403254) TC16 = (8858786403261) TC49 = (8858786403278)	
Code: (型號)	TC14,TC15,TC16,TC49			Color: (顏色)	TC14 = WHT (啞白) TC15 = ORB+G(ORB+金) TC16 = MBK(平光黑) TC49 = BN (砂鍍)	
Specificatio n (規格)	46 inch/3 Blades/With single L			Motor Size 馬達規格	AC/153*20	
Material (材料)	ABS			Switch category 開關類別	Remote control set WFSP-YJF(2+3UF)單繼電器	
Speed 轉速	Current (A) 安培	Wattage (W) 瓦特	RPM 轉速	Energy Information At High Speed		
				Air Flow (CFM) 風量	Efficiency (CFM/Wattage)	
1 速	0.32	72	208	6100	84.7	
2 速	0.25	41	160	-	-	-
3 速	0.17	22.4	108	-	-	-
4 速	-	-	-	-	-	-
5 速	-	-	-	-	-	-
Fan	A	吊盅直徑 Diameter of canopy			17	cm
	B	天花板到上罩高度 Height of Ceiling to upper cover			7	cm
	C	天花板到葉片高度 Height of Ceiling to blades			26	cm
	D	天花板到馬達底部高度 Height of ceiling to motor bottom			29	cm
	E	天花板到玻璃高度 Height of ceiling to glass			34	cm
Carton	L (長)	58				cm
	W (寬)	26.3				cm
	H (高)	27.3				cm
Package	N.W(淨重)	7.31				KGS
	G.W(毛重)	8.10				KGS